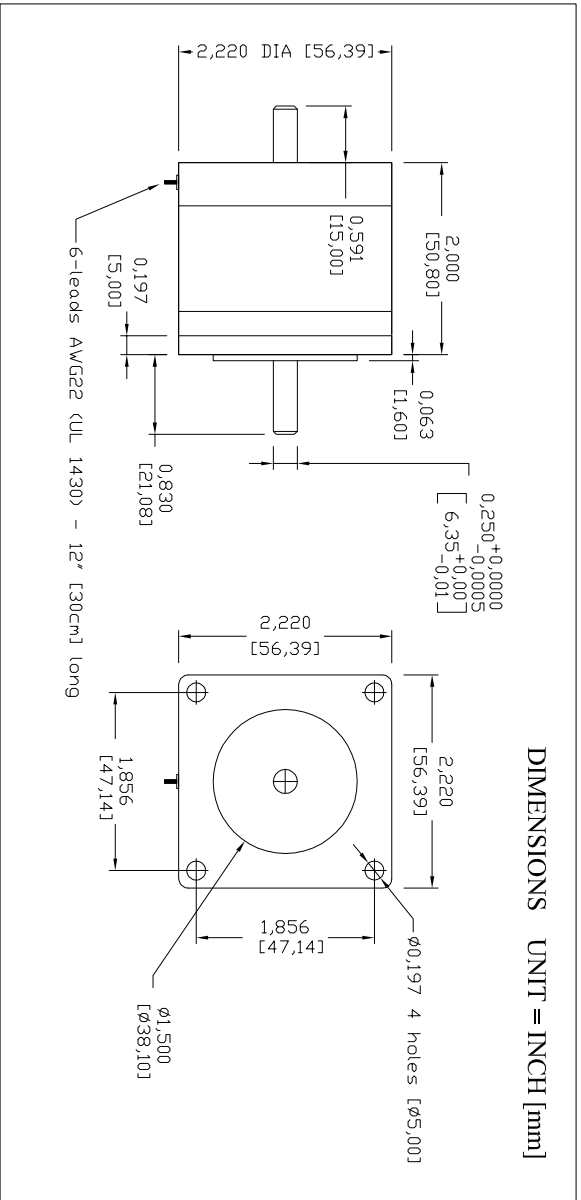
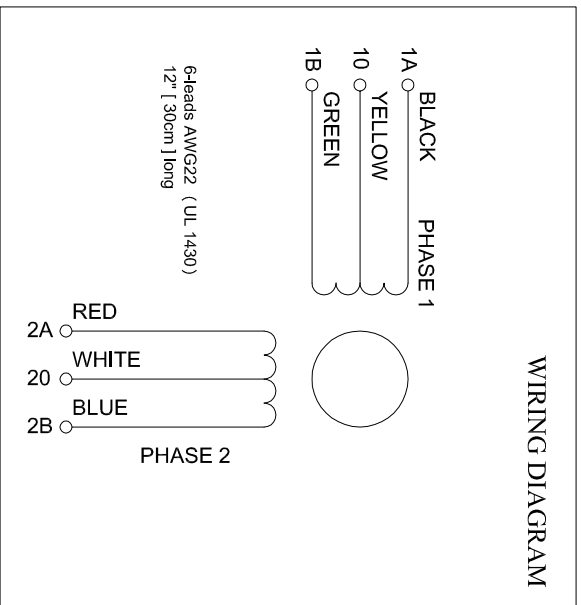
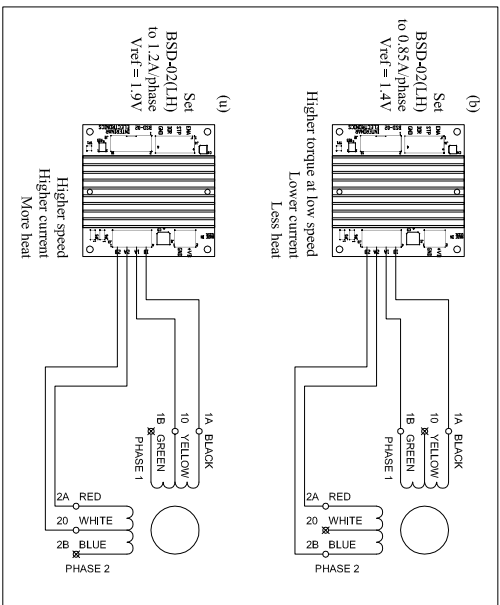




SPECIFICATIONS		(b) bipolar connection
Step Angle	deg	1.8
Voltage	V DC	6 (u), 8.4 (b)
Current / phase	A / phase	1.2 (u), 0.85 (b)
Resistance / phase	ohm / phase	5.0 (u)
Inductance / phase	mH / phase	8.0 (u)
Holding Torque	oz-in	85 (u), 119 (b)
	N-cm	60 (u), 84 (b)
Detent Torque	oz-in	9.2
	N-cm	6.5
Rotor Inertia	oz-in ²	0.79
	g-cm ²	14.5
Weight	lbs	1.43
	kg	0.65



RECOMMENDED DRIVER:
 BSD-02 or BSD-02LH from Interinar Electronics
 - Vref Adjusted to 1.4V (0.85A/phase) for (b) or 1.9V (1.2A/phase) for (u)
 - Available step modes: Full-, Half-, Quarter- and Eighth- (or for LH Sixteenth-) Step
RECOMMENDED POWER SUPPLY:
 24Vdc, min 1.7A for (b) or 24Vdc, min 2.4A for (u)



INTERINAR ELECTRONICS
<http://www.interinar.com>
support@interinar.com

DWG# **P1110.06**
 TITLE **2-PHASE HYBRID STEP MOTOR**
TL57ST56-02B2 NEMA 23 -57mm

DATE **11-10-2006**