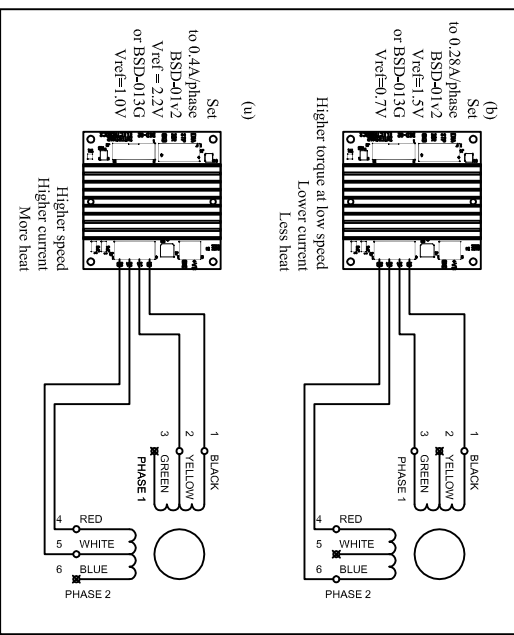
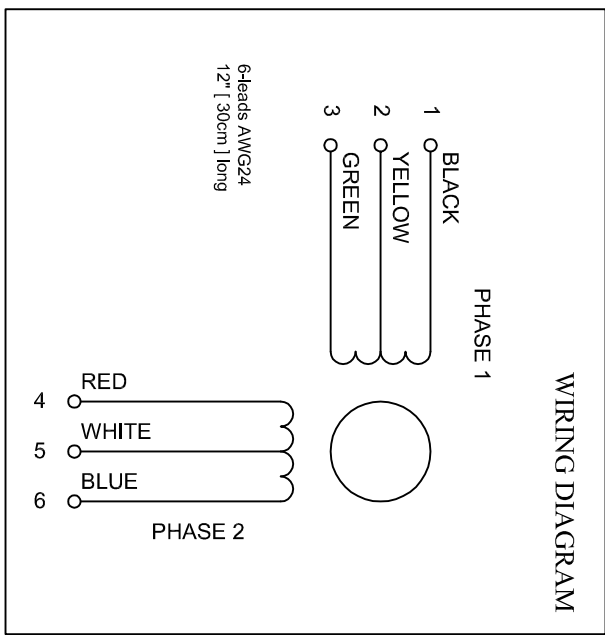
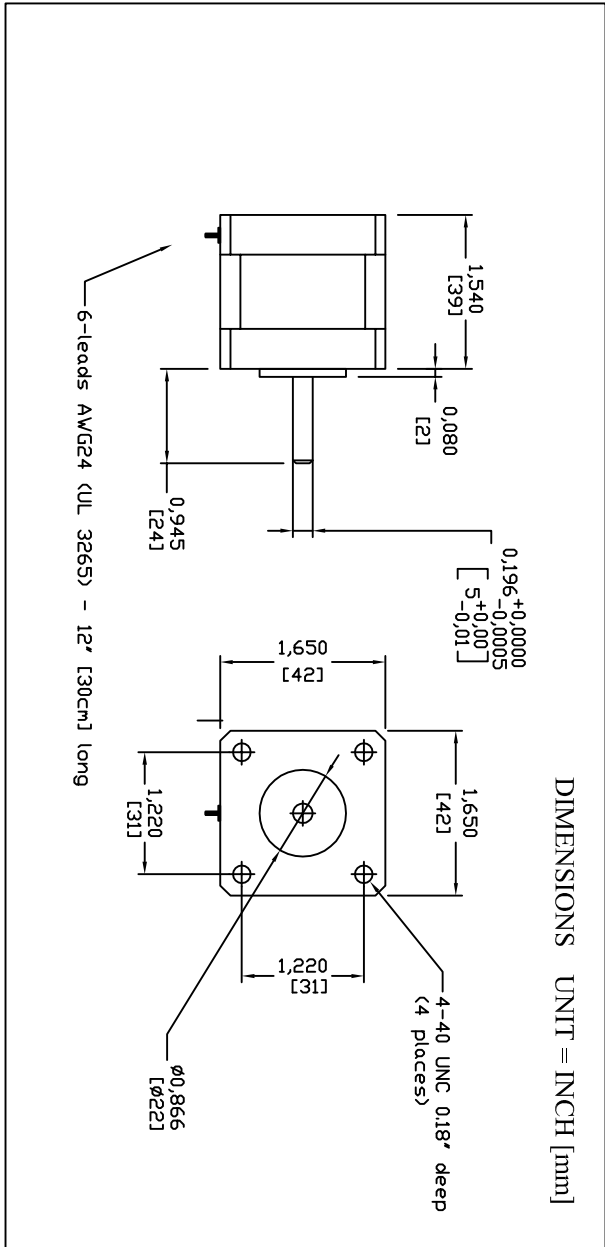


SPECIFICATIONS		(b)-unipolar connection (b)-bipolar series connection
Step Angle	deg	0.9
Voltage	V DC	12 (u), 17(b)
Current / phase	A / phase	0.4 (u), 0.28 (b)
Resistance / phase	ohm / phase	30 (u), 60 (b)
Inductance / phase	mH / phase	38 (u), 152 (b)
Holding Torque	oz-in N-cm	36 (u), 44 (b) 25 (u), 31 (b)
Detent Torque	oz-in N-cm	N/A N/A
Rotor Inertia	oz-in <sup>2</sup> g-cm <sup>2</sup>	0.3 5.4
Weight	Ibs kg	0.6 0.3



**RECOMMENDED DRIVER:** BSD-01V2, BSD-01P, BSD-13G, BSD-14  
**SETUP for BSD-013G:** Vref=0.7V (0.28A/phase) for (b) or 1.0V (0.4A/phase) for (u)  
**SETUP for BSD-01V2 or BSD-01C:** Vref=1.5V (0.28A/phase) for (b) or 2.2V (0.4A/phase) for (u)  
**RECOMMENDED POWER SUPPLY:**  
 24Vdc, min 0.5A for (b) or 24Vdc, min 0.8A for (u)