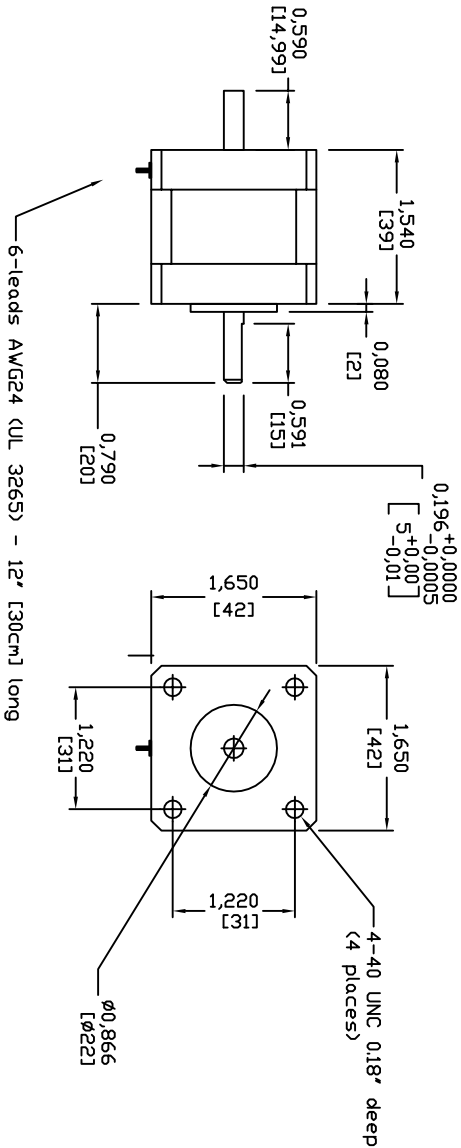


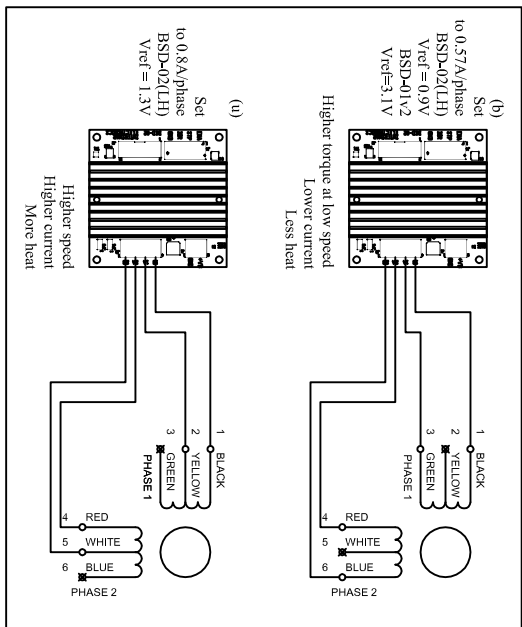


SPECIFICATIONS		(b)-bipolar connection	(u)-unipolar connection
Step Angle	deg	1.8	
Voltage	V DC	6.0 (u), 8.6(b)	
Current / phase	A / phase	0.8 (u), 0.57 (b)	
Resistance / phase	ohm / phase	7.5 (u), 15 (b)	
Inductance / phase	mH / phase	6.7 (u), 26.8 (b)	
Holding Torque	oz-in	36 (u), 46 (b)	
	N-cm	26 (u), 33 (b)	
Detent Torque	oz-in	N/A	
	N-cm	N/A	
Rotor Inertia	oz-in ²	0.3	
	g-cm ²	5.4	
Weight	Ibs	0.6	
	kg	0.3	

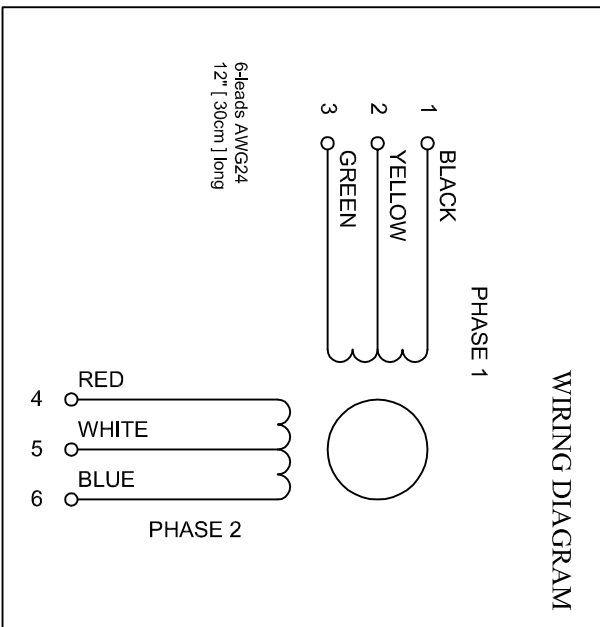
DIMENSIONS UNIT = INCH [mm]



RECOMMENDED DRIVER: BSD-01v2 (bipolar only), BSD-01P, BSD-13G, BSD-02, BSD-02LH
SETUP for BSD-02 or BSD-02LH: Vref=0.9V (0.57A/phase) for (b) or 1.3V (0.8A/phase) for (u)
SETUP for BSD-01v2: Vref=3.1V (0.57A/phase) for (b) ONLY
 - Available step modes: Full-, Half-, Quarter- and Eighth- (or Sixteenth-for BSD-02LH)
RECOMMENDED POWER SUPPLY: 24Vdc, min 1.2A for (b) or 24Vdc, min 1.6A for (u)



WIRING DIAGRAM



We have used our best effort in preparing this document. We make no representations or warranties with respect to the accuracy or completeness of the contents of this document and specifically disclaim any implied warranties of fitness for a particular purpose. We shall not be liable for any loss of profit or any other commercial damages.

REV	REV NOTE	DATE
-----	----------	------

		TITLE 2-PHASE STEP MOTOR DWG# PX244-02BA	
http://www.interinar.com support@interinar.com	DWG M.W. SCALE not to scale	FILE NAME PX244-02BA.dwg	SHEET 1 OF 1
CAT 72		DATE 06-01-2010	